

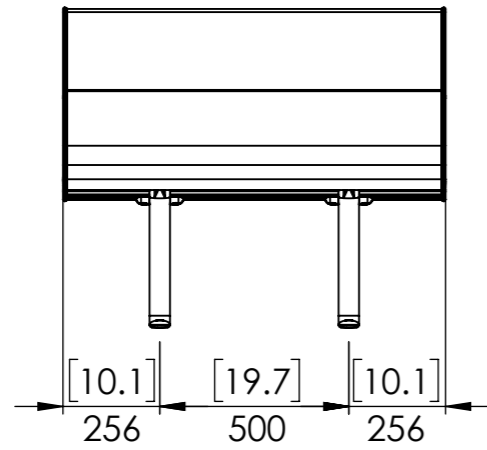
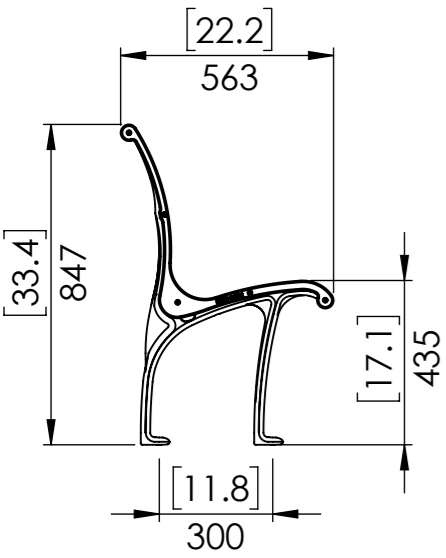
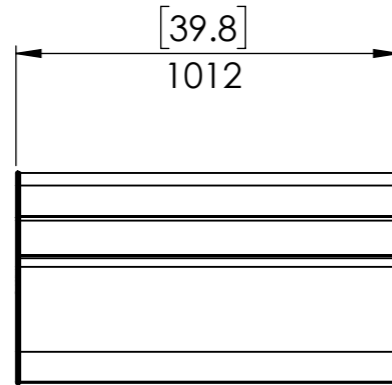
# UES seating

A Division of UES International

DRAWING: LD-IB01-0200  
ISSUED: 06/02/2017

MODEL: Island Bench;  
VARIANT: 2 seater;

Dimensions are in mm  
Tolerance  $\pm 5$  mm  
[Bracketed dimensions are in inches]



# UES

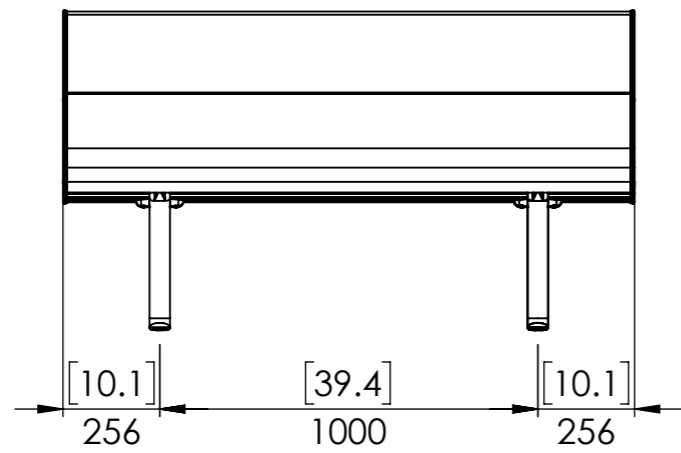
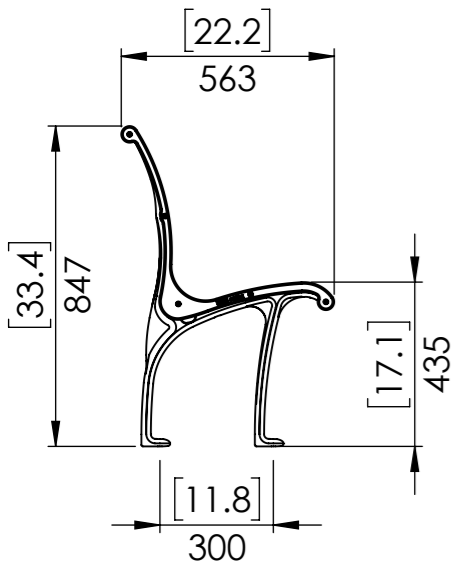
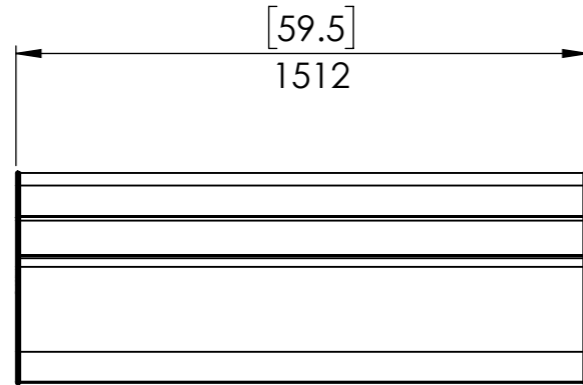
## seating

A Division of UES International

DRAWING: LD-IB01-0300  
ISSUED: 06/02/2017

MODEL: Island Bench;  
VARIANT: 3 seater;

Dimensions are in mm  
Tolerance  $\pm 5$  mm  
[Bracketed dimensions are in inches]



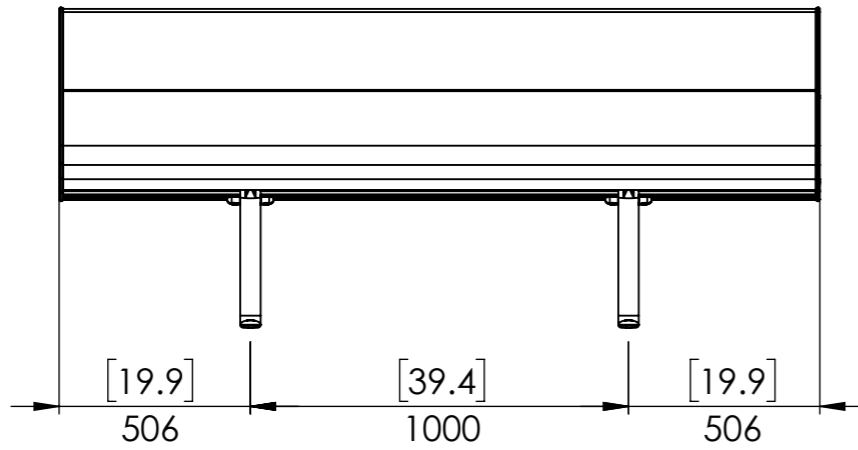
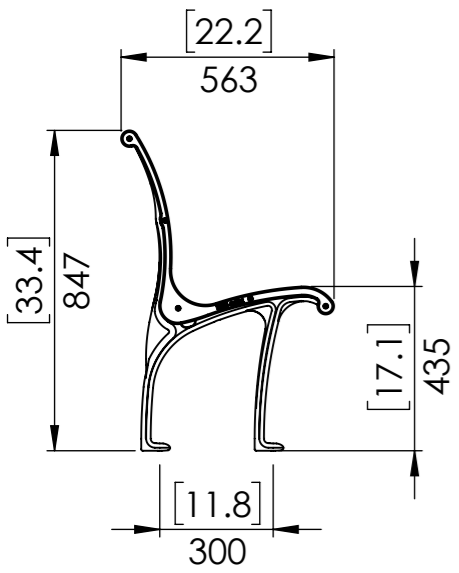
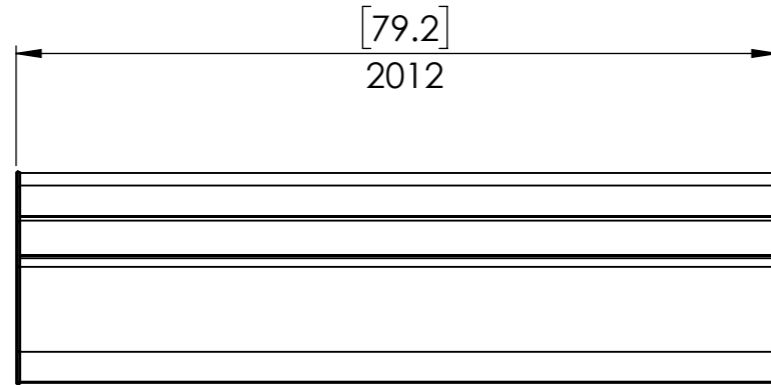
# UES seating

A Division of UES International

DRAWING: LD-IB01-0400  
ISSUED: 06/02/2017

MODEL: Island Bench;  
VARIANT: 4 seater;

Dimensions are in mm  
Tolerance  $\pm 5$  mm  
[Bracketed dimensions are in inches]



# UES

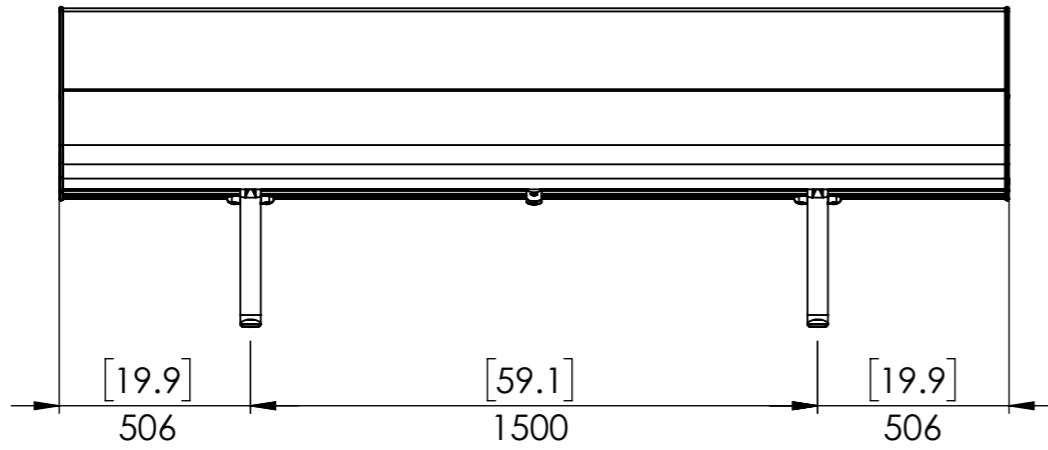
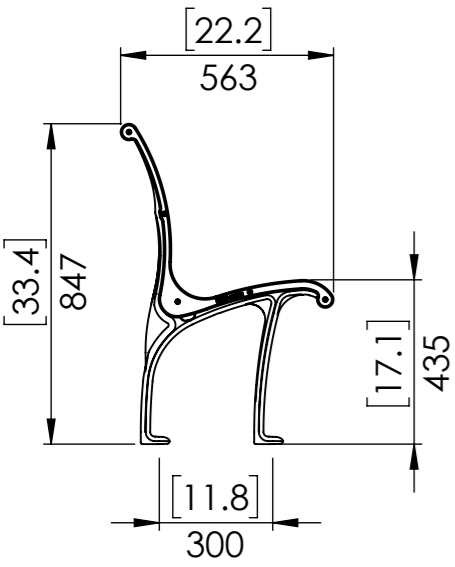
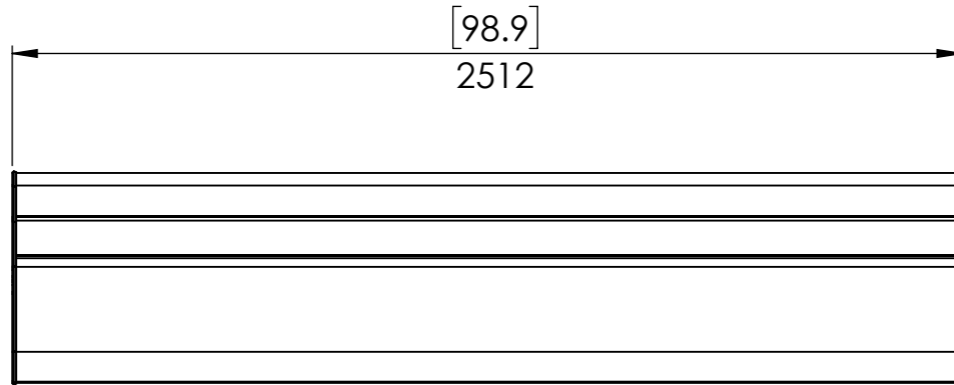
## seating

A Division of UES International

DRAWING: LD-IB01-0500  
ISSUED: 06/02/2017

MODEL: Island Bench;  
VARIANT: 5 seater;

Dimensions are in mm  
Tolerance  $\pm 5$  mm  
[Bracketed dimensions are in inches]



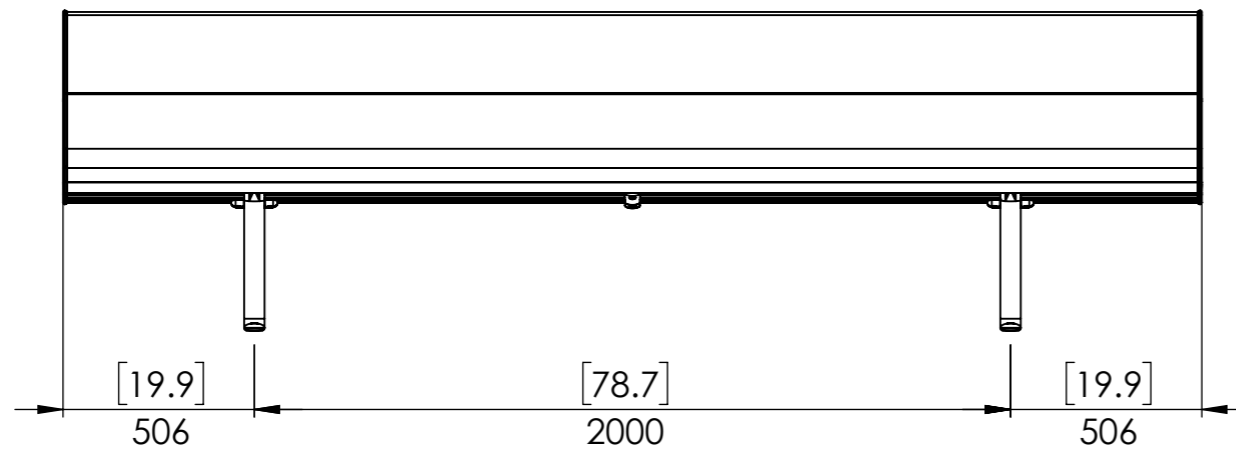
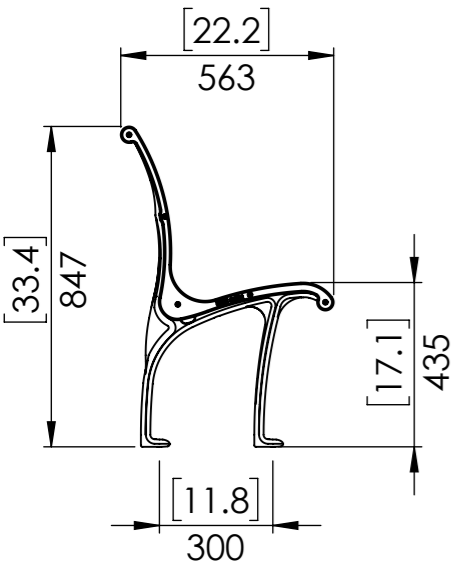
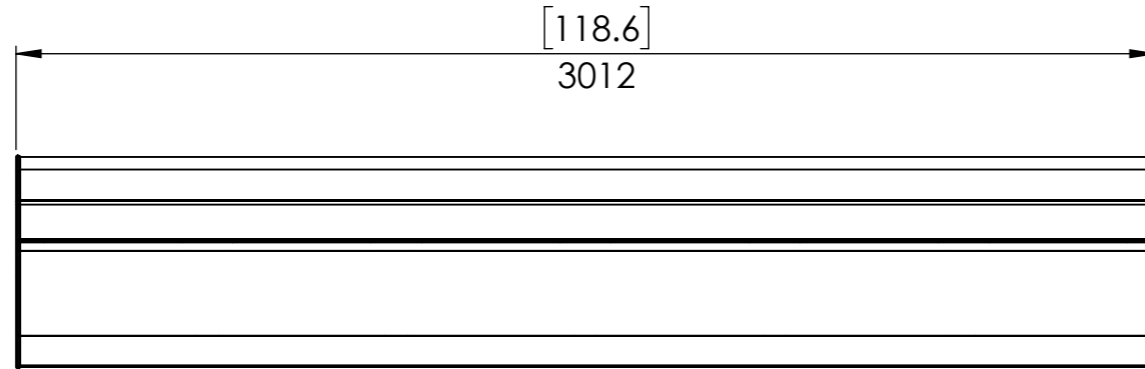
# UES seating

A Division of UES International

DRAWING: LD-IB01-0600  
ISSUED: 06/02/2017

MODEL: Island Bench;  
VARIANT: 6 seater;

Dimensions are in mm  
Tolerance  $\pm 5$  mm  
[Bracketed dimensions are in inches]



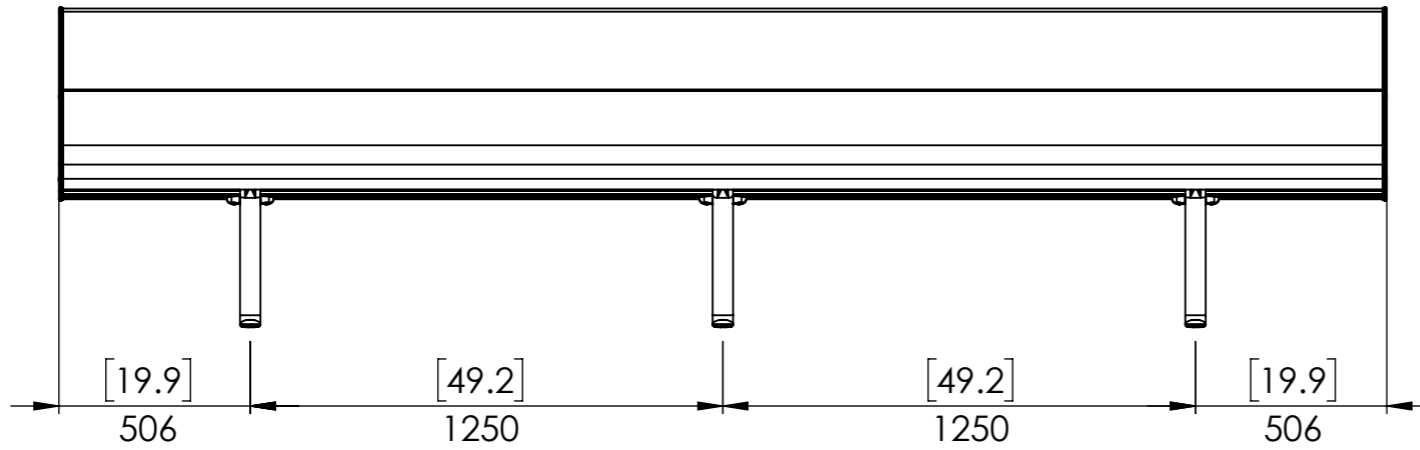
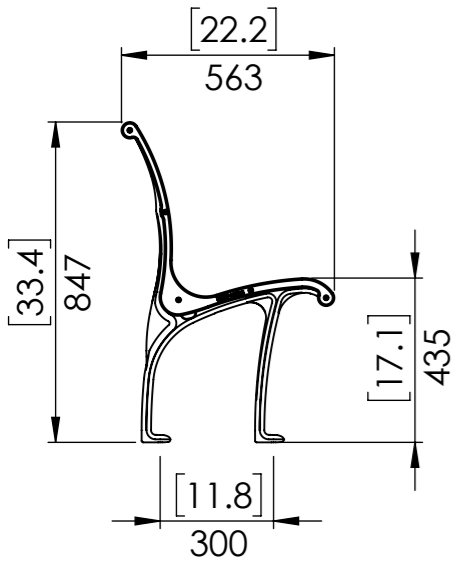
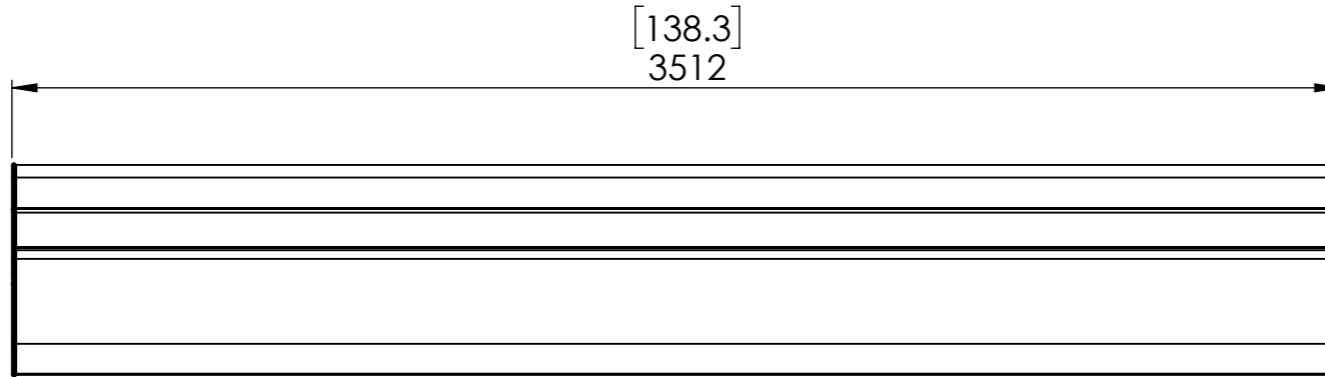
# UES seating

A Division of UES International

DRAWING: LD-IB01-0700  
ISSUED: 06/02/2017

MODEL: Island Bench;  
VARIANT: 7 seater;

Dimensions are in mm  
Tolerance  $\pm 5$  mm  
[Bracketed dimensions are in inches]



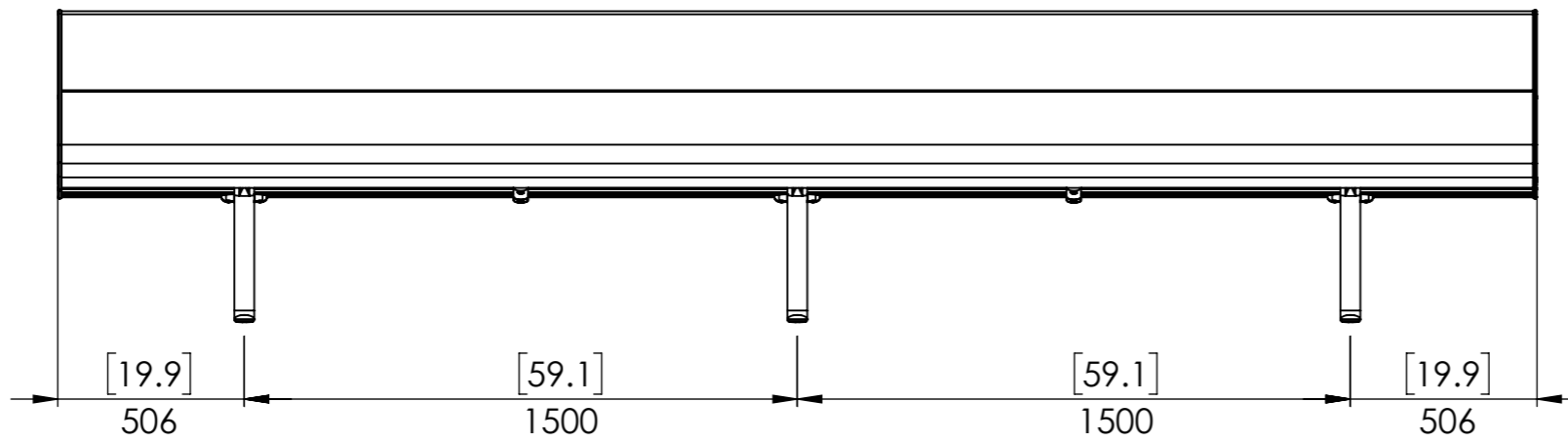
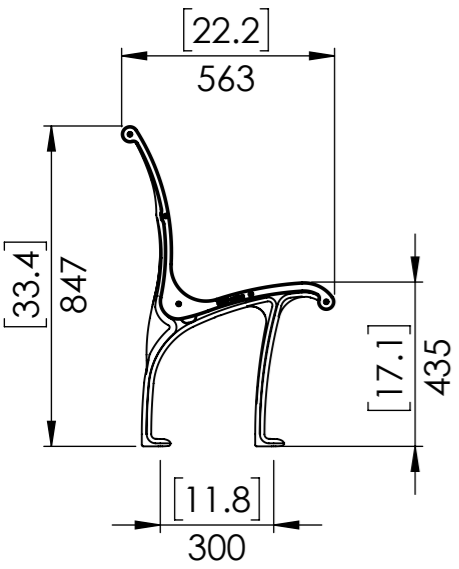
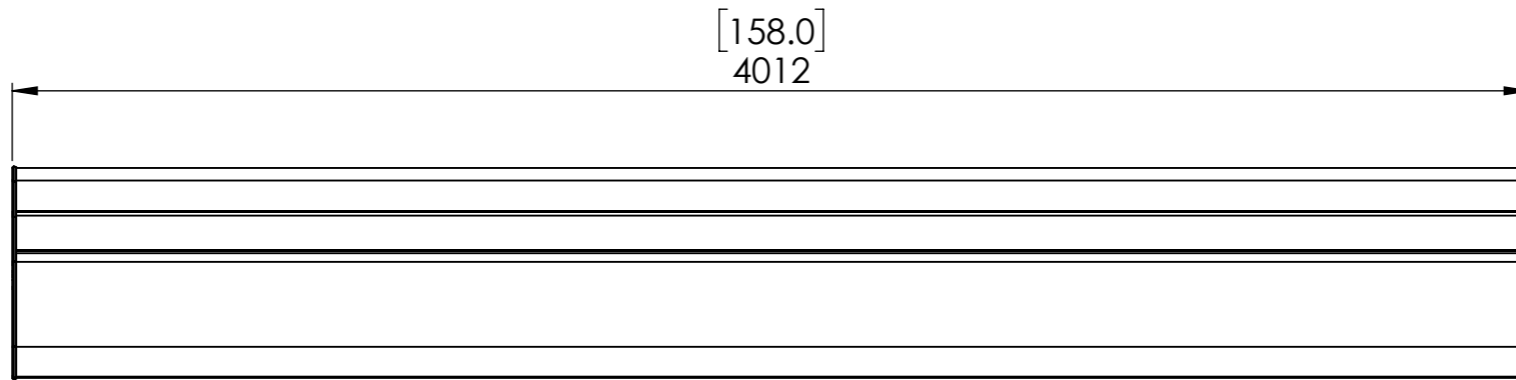
# UES seating

A Division of UES International

DRAWING: LD-IB01-0800  
ISSUED: 06/02/2017

MODEL: Island Bench;  
VARIANT: 8 seater;

Dimensions are in mm  
Tolerance  $\pm 5$  mm  
[Bracketed dimensions are in inches]



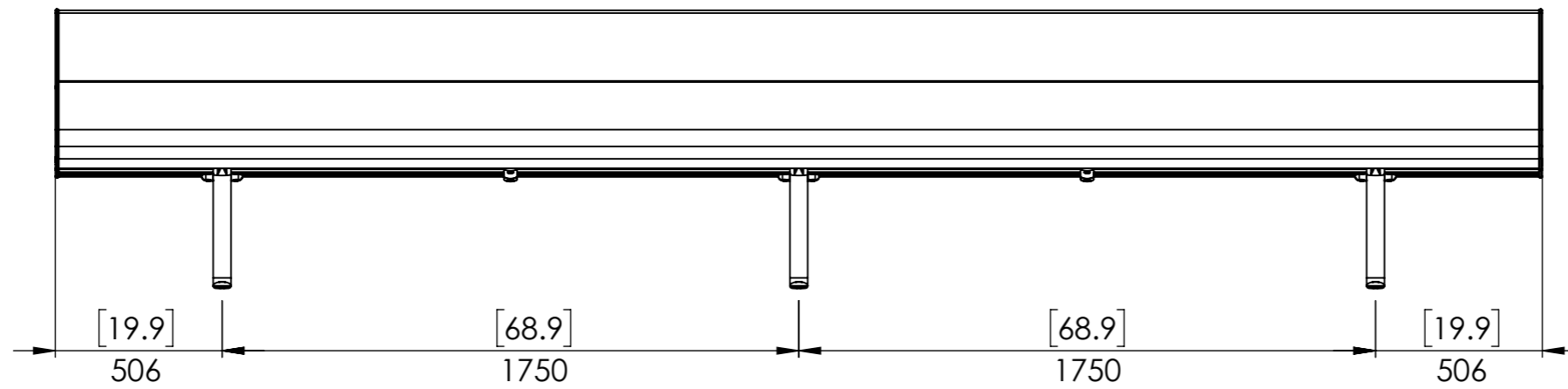
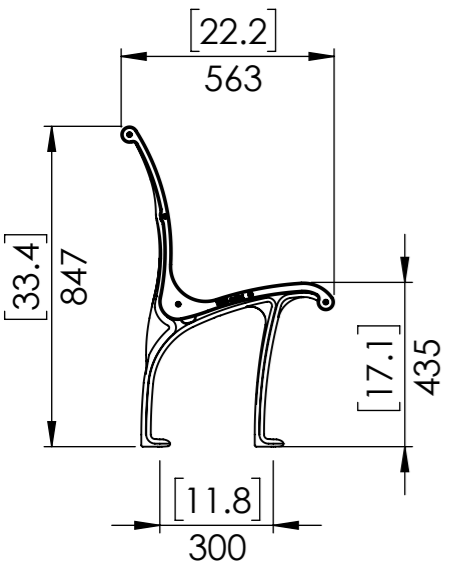
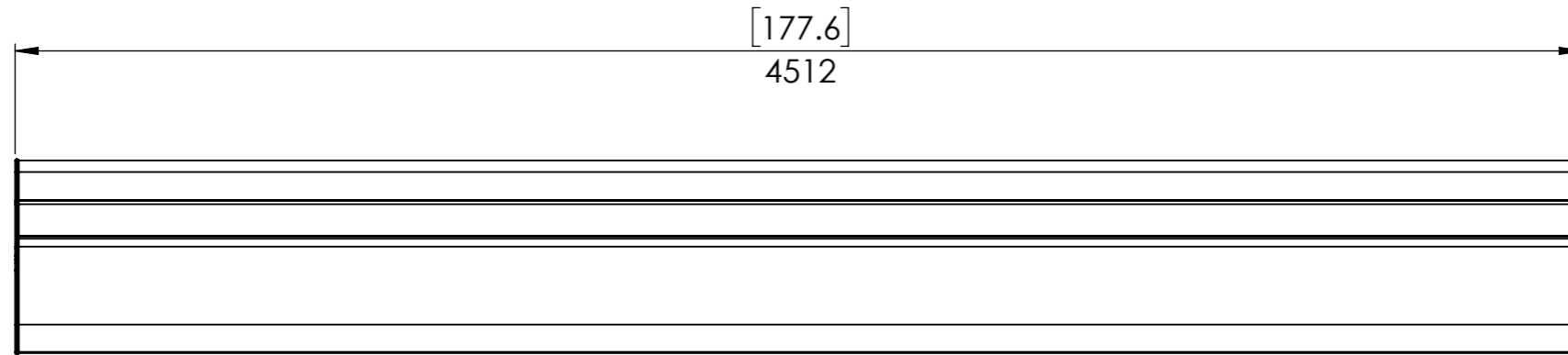
# UES seating

A Division of UES International

DRAWING: LD-IB01-0900  
ISSUED: 06/02/2017

MODEL: Island Bench;  
VARIANT: 9 seater;

Dimensions are in mm  
Tolerance  $\pm 5$  mm  
[Bracketed dimensions are in inches]

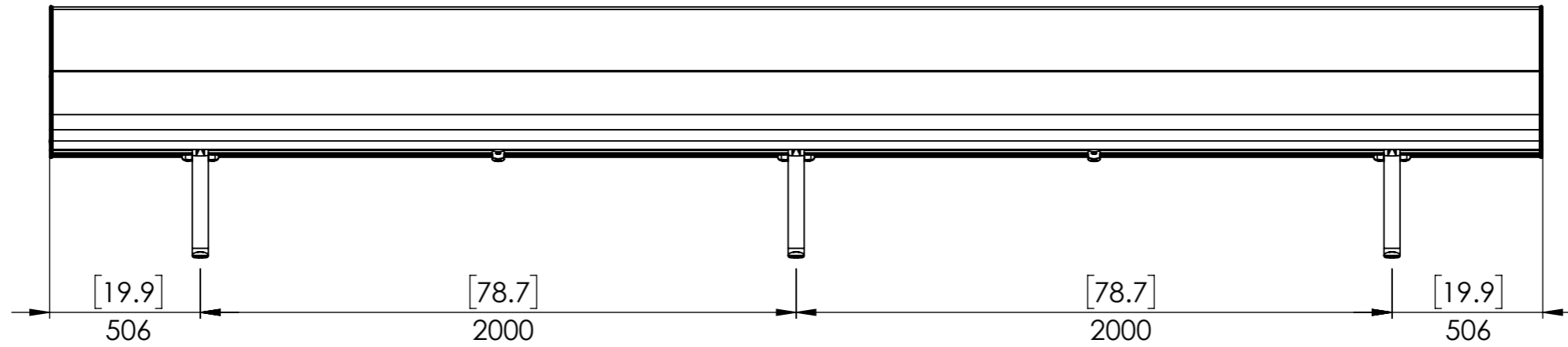
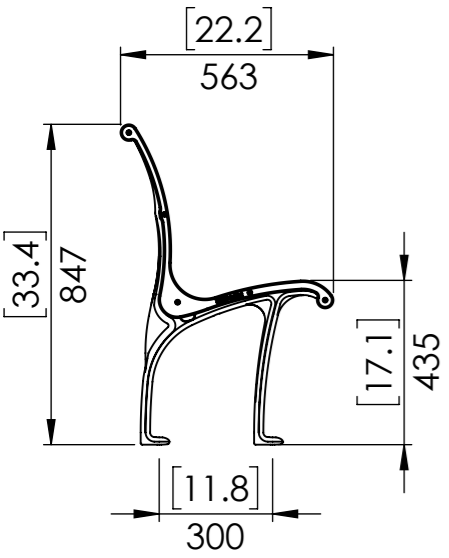
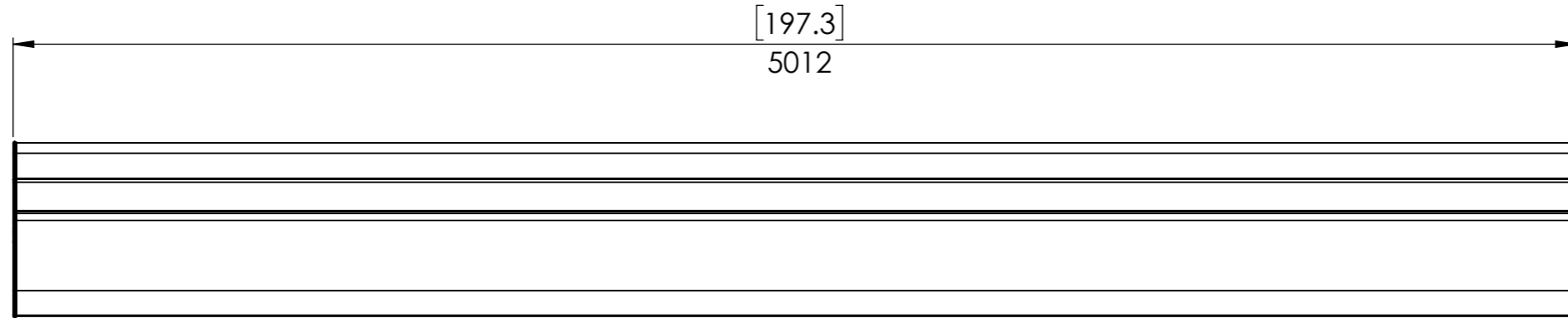




DRAWING: LD-IB01-1000  
ISSUED: 06/02/2017

MODEL: Island Bench;  
VARIANT: 10 seater;

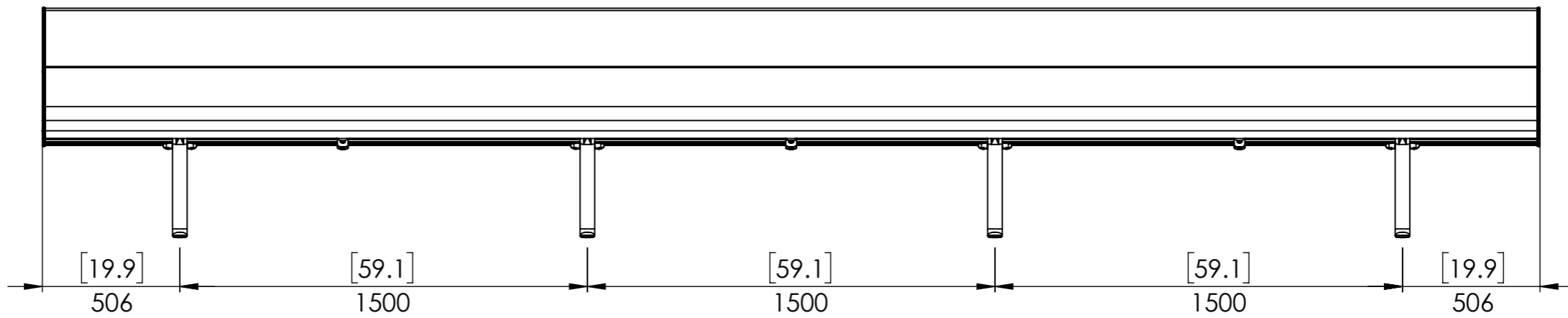
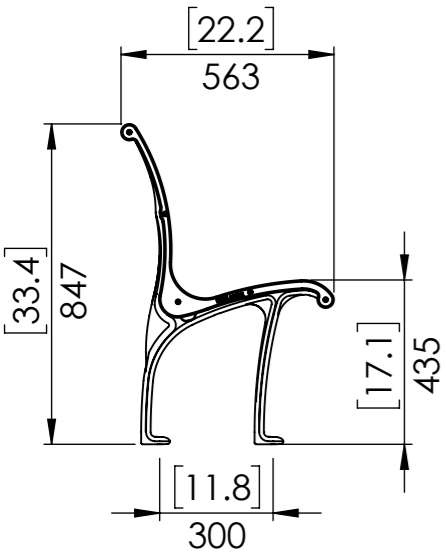
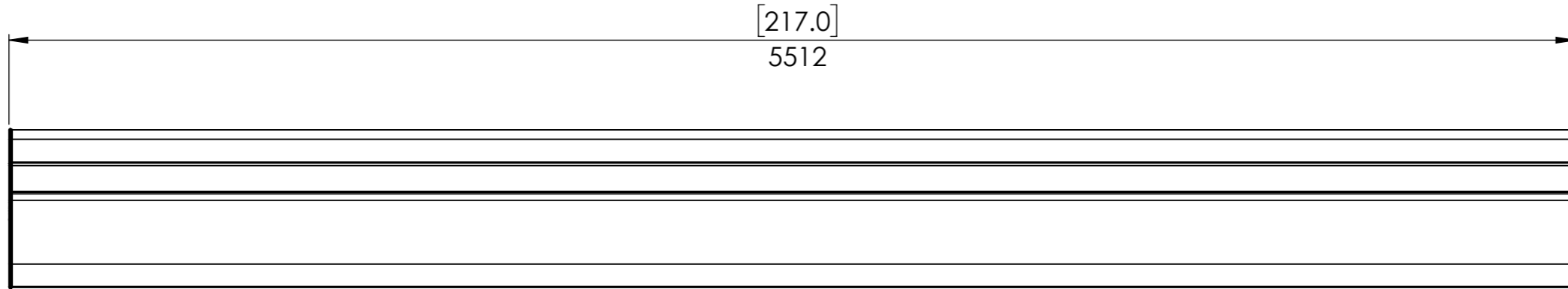
Dimensions are in mm  
Tolerance  $\pm 5$  mm  
[Bracketed dimensions are in inches]



DRAWING: LD-IB01-1100  
ISSUED: 06/02/2017

MODEL: Island Bench;  
VARIANT: 11 seater;

Dimensions are in mm  
Tolerance  $\pm 5$  mm  
[Bracketed dimensions are in inches]



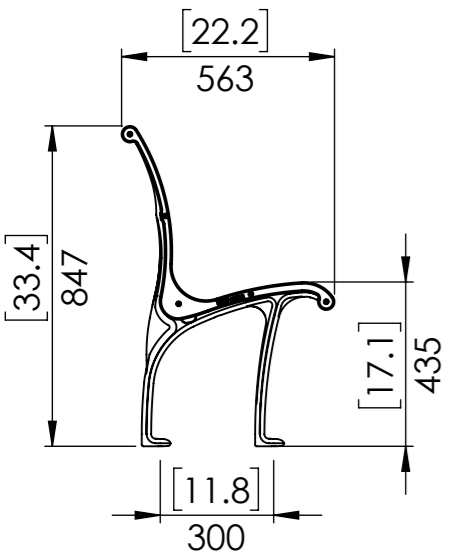
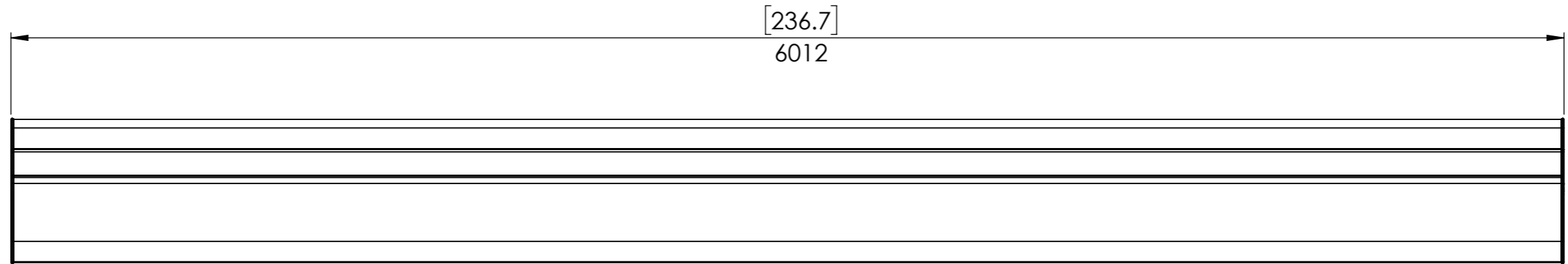
# UES seating

A Division of UES International

DRAWING: LD-IB01-1200  
ISSUED: 06/02/2017

MODEL: Island Bench;  
VARIANT: 12 seater;

Dimensions are in mm  
Tolerance  $\pm 5$  mm  
[Bracketed dimensions are in inches]



DRAWING: LD-IB01-1300  
ISSUED: 06/02/2017

MODEL: Island Bench;  
VARIANT: 13 seater;

Dimensions are in mm  
Tolerance  $\pm 5$  mm  
[Bracketed dimensions are in inches]

